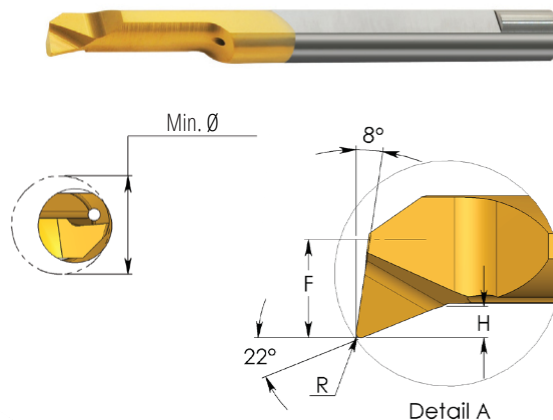
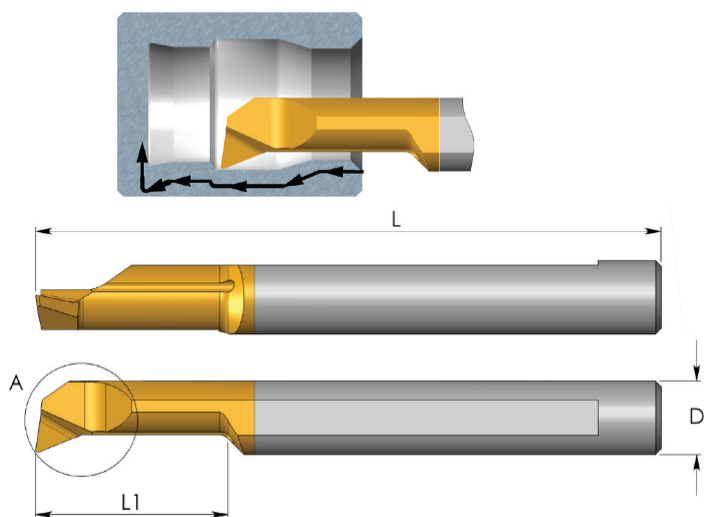


## MPR nůž *Profilování a vyvrtávání*

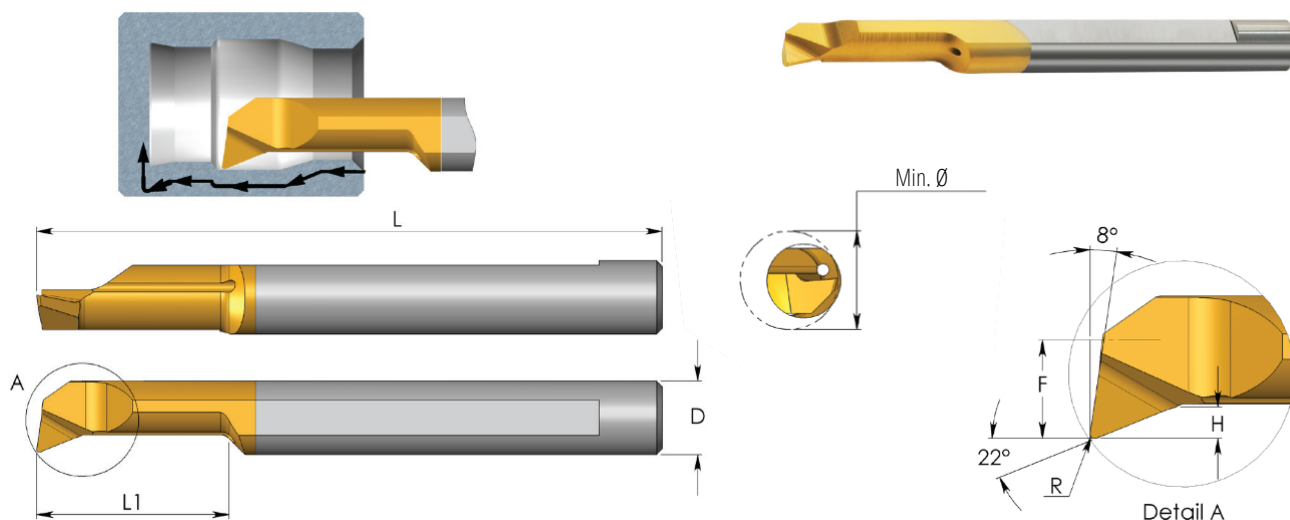


Jakost	P	M	K	N	S	H
K20		○	○	●	○	
BXC	●	●	●	○	●	●
BMK	●	●	●	○	●	●

D	Objednáací číslo	L	L1	R	H	F	Min. Ø	Držák
3.0	<b>MPR 1 R0.05 L4</b>	39	4	0.05	0.2	0.5	1.0	SIM ...H3
	<b>MPR 1 R0.05 L8</b>	39	8	0.05	0.2	0.5	1.0	
3.0	<b>MPR 1.2 R0.1 L5</b>	39	5	0.10	0.3	0.6	1.2	SIM ...H3
	<b>MPR 1.2 R0.1 L9</b>	39	9	0.10	0.3	0.6	1.2	
3.0	<b>MPR 1.5 R0.05 L10</b>	39	10	0.05	0.3	0.7	1.5	SIM ...H3
	<b>MPR 1.5 R0.1 L6</b>	39	6	0.10	0.3	0.7	1.5	
	<b>MPR 1.5 R0.1 L10</b>	39	10	0.10	0.3	0.7	1.5	
3.0	<b>MPR 2 R0.05 L10</b>	39	10	0.05	0.5	0.8	2.1	SIM ...H3
	<b>MPR 2 R0.1 L10</b>	39	10	0.10	0.5	0.8	2.1	
	<b>MPR 2 R0.15 L5</b>	39	5	0.15	0.5	0.8	2.1	
	<b>MPR 2 R0.15 L10</b>	39	10	0.15	0.5	0.8	2.1	
4.0	<b>MPR 2.5 R0.1 L10</b>	51	10	0.10	0.6	1.0	2.5	SIM ...H4
	<b>MPR 2.5 R0.1 L15</b>	51	15	0.10	0.6	1.0	2.5	
3.0	<b>MPR 3 R0.05 L10</b>	39	10	0.05	0.7	1.3	3.1	SIM ...H3
	<b>MPR 3 R0.05 L15</b>	39	15	0.05	0.7	1.3	3.1	
	<b>MPR 3 R0.1 L10</b>	39	10	0.10	0.7	1.3	3.1	
	<b>MPR 3 R0.1 L15</b>	39	15	0.10	0.7	1.3	3.1	
	<b>MPR 3 R0.1 L22</b>	47	22	0.10	0.7	1.3	3.1	
	<b>MPR 3 R0.2 L10</b>	39	10	0.20	0.7	1.3	3.1	
	<b>MPR 3 R0.2 L15</b>	39	15	0.20	0.7	1.3	3.1	
4.0	<b>MPR 4 R0.1 L10</b>	51	10	0.10	0.8	1.7	4.1	SIM ...H4
	<b>MPR 4 R0.1 L15</b>	51	15	0.10	0.8	1.7	4.1	
	<b>MPR 4 R0.1 L22</b>	51	22	0.10	0.8	1.7	4.1	
	<b>MPR 4 R0.2 L10</b>	51	10	0.20	0.8	1.7	4.1	
	<b>MPR 4 R0.2 L15</b>	51	15	0.20	0.8	1.7	4.1	
	<b>MPR 4 R0.2 L22</b>	51	22	0.20	0.8	1.7	4.1	
	<b>MPR 4 R0.2 L30</b>	62	30	0.20	0.8	1.7	4.1	

Upínací držáky na straně 33

## MPR nůž *Profilování a vyvrtávání*



D	Objednáací číslo	L	L1	R	H	F	Min. Ø	Držák
5.0	<b>MPR 5 R0.1 L22</b>	51	22	0.10	1.2	2.1	5.1	SIM ...H5
	<b>MPR 5 R0.1 L30</b>	76	30	0.10	1.2	2.1	5.1	
	<b>MPR 5 R0.2 L10</b>	51	10	0.20	1.2	2.1	5.1	
	<b>MPR 5 R0.2 L15</b>	51	15	0.20	1.2	2.1	5.1	
	<b>MPR 5 R0.2 L22</b>	51	22	0.20	1.2	2.1	5.1	
	<b>MPR 5 R0.2 L30</b>	76	30	0.20	1.2	2.1	5.1	
	<b>MPR 5 R0.2 L40</b>	76	40	0.20	0.9	2.1	5.1	
6.0	<b>MPR 6 R0.2 L10</b>	51	10	0.20	1.4	2.8	6.1	SIM ...H6
	<b>MPR 6 R0.2 L15</b>	51	15	0.20	1.4	2.8	6.1	
	<b>MPR 6 R0.2 L22</b>	51	22	0.20	1.4	2.8	6.1	
	<b>MPR 6 R0.2 L30</b>	76	30	0.20	1.4	2.8	6.1	
	<b>MPR 6 R0.2 L40</b>	76	40	0.20	1.0	2.8	6.1	
7.0	<b>MPR 7 R0.2 L22</b>	62	22	0.20	1.5	3.3	7.1	SIM ...H7
	<b>MPR 7 R0.2 L30</b>	62	30	0.20	1.5	3.3	7.1	
	<b>MPR 7 R0.2 L35</b>	62	35	0.20	1.5	3.3	7.1	
8.0	<b>MPR 8 R0.2 L15</b>	64	15	0.20	1.6	3.8	8.1	SIM ...H8
	<b>MPR 8 R0.2 L22</b>	64	22	0.20	1.6	3.8	8.1	
	<b>MPR 8 R0.2 L35</b>	76	35	0.20	1.6	3.8	8.1	
10.0	<b>MPR 10 R0.2 L35</b>	73	35	0.20	2.0	4.8	10.1	SIM ...H10

Příklad objednávky: MPR 4 R0.2 L15 BXC

Pro LEVÝ nůž specifikujte v objednávce MPL namísto MPR

Upínací držáky na straně 33