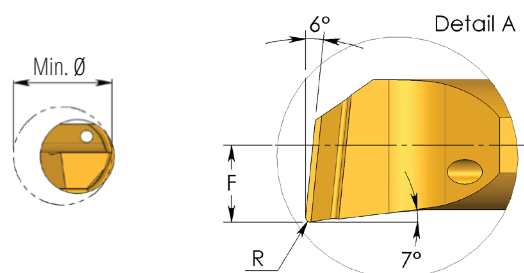
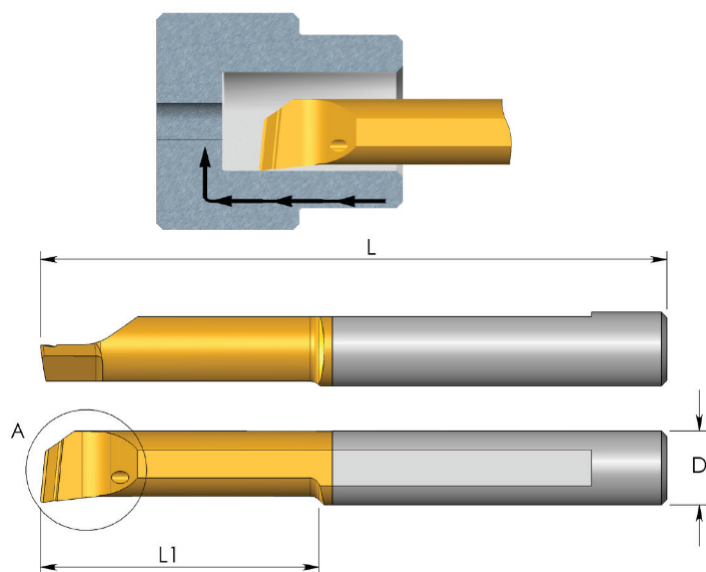


MTR nůž *Vyvrtování*

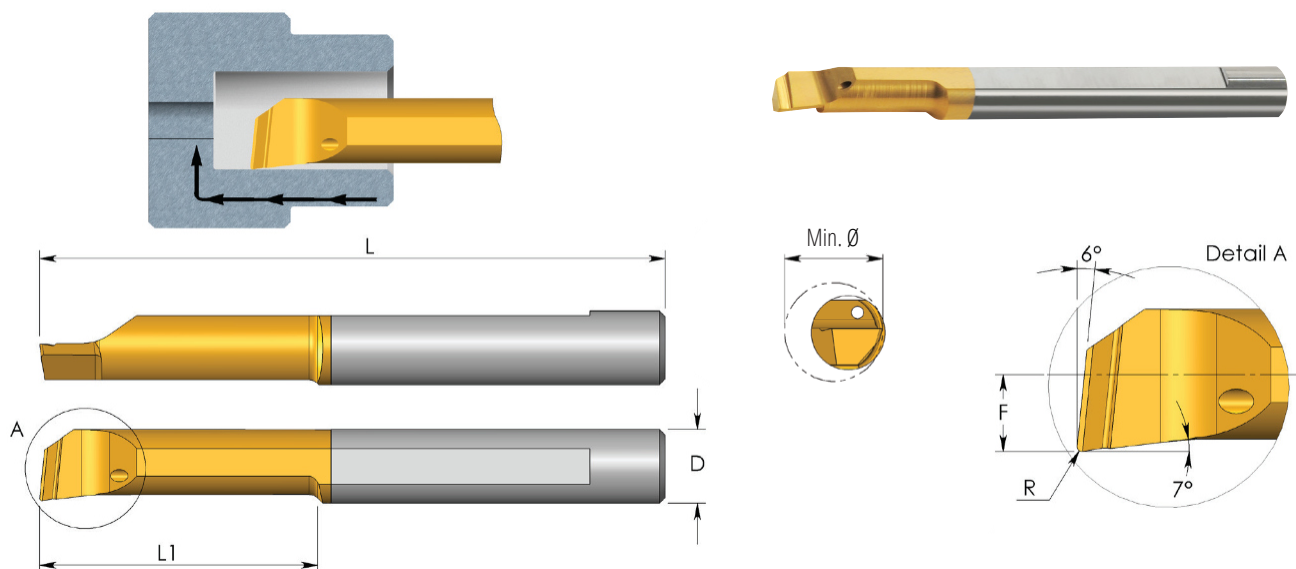


Jakost	P	M	K	N	S	H
K20		○	○	●	○	
BXC	●	●	●	○	●	●
BMK	●	●	●	○	●	●

D	Objednací číslo	L	L1	R	F	Min. Ø	Držák
3.0	MTR 1 R0 L6	39	6	0	0.5	1.0	SIM ...H3
	MTR 1 R0.05 L4	39	4	0.05	0.5	1.0	
	MTR 1 R0.05 L6	39	6	0.05	0.5	1.0	
3.0	MTR 1.2 R0 L7	39	7	0	0.6	1.2	SIM ...H3
	MTR 1.2 R0 L9	39	9	0	0.6	1.2	
3.0	MTR 1.5 R0 L6	39	6	0	0.7	1.5	SIM ...H3
	MTR 1.5 R0.1 L6	39	6	0.10	0.7	1.5	
3.0	MTR 2 R0 L10	39	10	0	0.8	2.1	SIM ...H3
	MTR 2 R0.05 L5	39	5	0.05	0.8	2.1	
	MTR 2 R0.05 L10	39	10	0.05	0.8	2.1	
	MTR 2 R0.1 L10	39	10	0.10	0.8	2.1	
	MTR 2 R0.1 L15	39	15	0.10	0.8	2.1	
	MTR 2 R0.15 L5	39	5	0.15	0.8	2.1	
4.0	MTR 2.5 R0 L10	51	10	0	1.0	2.5	SIM ...H4
	MTR 2.5 R0.1 L10	51	10	0.10	1.0	2.5	
	MTR 2.5 R0.1 L15	51	15	0.10	1.0	2.5	
3.0	MTR 3 R0.05 L10	39	10	0.05	1.3	3.1	SIM ...H3
	MTR 3 R0.05 L15	39	15	0.05	1.3	3.1	
	MTR 3 R0.1 L10	39	10	0.10	1.3	3.1	
	MTR 3 R0.1 L15	39	15	0.10	1.3	3.1	
	MTR 3 R0.2 L10	39	10	0.20	1.3	3.1	
	MTR 3 R0.2 L15	39	15	0.20	1.3	3.1	
4.0	MTR 4 R0.05 L15	51	15	0.05	1.7	4.1	SIM ...H4
	MTR 4 R0.05 L22	51	22	0.05	1.7	4.1	
	MTR 4 R0.1 L10	51	10	0.10	1.7	4.1	
	MTR 4 R0.1 L15	51	15	0.10	1.7	4.1	
	MTR 4 R0.1 L22	51	22	0.10	1.7	4.1	
	MTR 4 R0.2 L10	51	10	0.20	1.7	4.1	
	MTR 4 R0.2 L15	51	15	0.20	1.7	4.1	
	MTR 4 R0.2 L30	62	30	0.20	1.7	4.1	

Upínací držáky na straně 33

MTR nůž *Vyvrtování*



D	Objednáací číslo	L	L1	R	F	Min. Ø	Držák
5.0	MTR 5 R0.05 L15	51	15	0.05	2.1	5.1	SIM ...H5
	MTR 5 R0.1 L15	51	15	0.10	2.1	5.1	
	MTR 5 R0.1 L22	51	22	0.10	2.1	5.1	
	MTR 5 R0.1 L30	76	30	0.10	2.1	5.1	
	MTR 5 R0.2 L10	51	10	0.20	2.1	5.1	
	MTR 5 R0.2 L15	51	15	0.20	2.1	5.1	
	MTR 5 R0.2 L22	51	22	0.20	2.1	5.1	
	MTR 5 R0.2 L30	76	30	0.20	2.1	5.1	
6.0	MTR 6 R0.05 L15	51	15	0.05	2.8	6.1	SIM ...H6
	MTR 6 R0.05 L22	51	22	0.05	2.8	6.1	
	MTR 6 R0.1 L15	51	15	0.10	2.8	6.1	
	MTR 6 R0.1 L22	51	22	0.10	2.8	6.1	
	MTR 6 R0.2 L15	51	15	0.20	2.8	6.1	
	MTR 6 R0.2 L22	51	22	0.20	2.8	6.1	
	MTR 6 R0.2 L30	58	30	0.20	2.8	6.1	
	MTR 6 R0.2 L35	76	35	0.20	2.8	6.1	
7.0	MTR 7 R0.2 L22	62	22	0.20	3.3	7.1	SIM ...H7
	MTR 7 R0.2 L30	62	30	0.20	3.3	7.1	
8.0	MTR 8 R0.2 L15	64	15	0.20	3.8	8.1	SIM ...H8
	MTR 8 R0.2 L22	64	22	0.20	3.8	8.1	
	MTR 8 R0.2 L35	76	35	0.20	3.8	8.1	
10.0	MTR 10 R0.2 L35	73	35	0.20	4.8	10.1	SIM ...H10

Příklad objednávky: MTR 4 R0.2 L15 BXC

Pro LEVÝ nůž specifikujte v objednávce MTL namísto MTR

Upínací držáky na straně 33